

New!

LOW ENERGY SEAL SYSTEM RETROFIT



Benefits

- Robust construction by design
- Extended PM interval
- Includes the proven 'Uptime' adjustment features
- Reduced seal bar temperatures means low potential for build up
- Less critical seal bar alignment
- Back up heater and Teflon tape eliminated
- Low maintenance cost

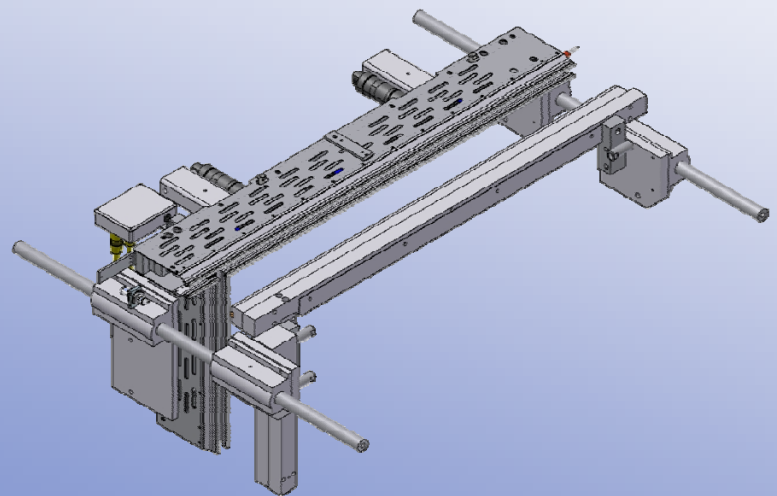
Description

The Rennco LE seal system consists of custom profile seal bars which produce a 1/16" wide seal. Packages are separated with a cold cut serrated knife for positive separation of packages.

The retrofit package includes all components and documentation required for easy installation.

LE Seal Jaw Upgrade For Use With Existing Air Cylinder Drive

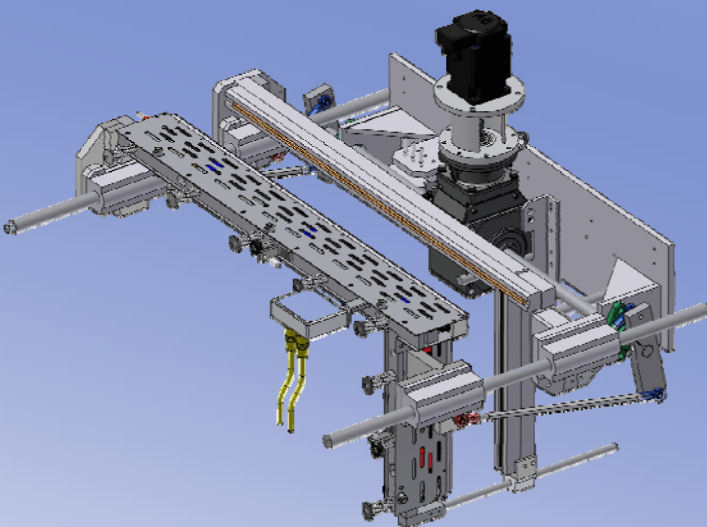
The new Rennco LE Seal System is available in an air cylinder driven retrofit package that includes just the seal jaws for customers who want to retain their existing jaw drive configuration.



Trimless seal jaw configuration shown. 'L' bar & horizontal-only configurations also available.

Combination LE Seal Jaw With Servo Drive Upgrade

The LE Seal System is also available in an Allen Bradley servo motor driven retrofit package for customers who want to upgrade both the seal jaws and drive system.



LE Seal jaw upgrade includes:

- Preassembled and aligned seal bar and back up jaws
- New seal jaw carrier shafts
- New linear carrier bearings
- Valving and wiring components
- PLC logic & OIU program updates
- Operation manual & parts documentation

'UPTIME' construction features included:

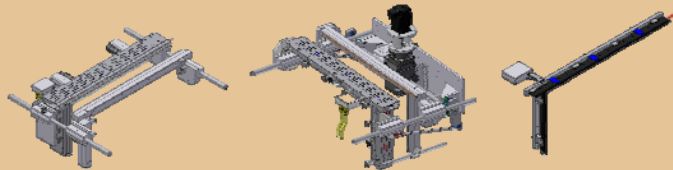
- Robust steel seal bar mounting blocks.
- Rigid phenolic seal bar insulator strips.
- Seal bar mounting blocks mount in machined grooves that control alignment.
- Lockable cams provide alignment adjustment and a 'datum' location for the individual jaw plates.
- Lockable cams provide 2 axis alignment adjustment and a 'datum' location for the back up seal jaw.

LE Seal jaw upgrade plus servo drive includes:

- LE Seal jaw upgrade
- Jaw drive subframe with servo motor and drive shaft
- Servo drive linkage arms
- Servo drive controller and PLC positioning module
- PLC and OIU program upgrades

Optional Spare Seal Assembly

- Reduces down time by half when servicing the internal seal jaw components. Interchangeable subframe with seal bars and knives allows repairs to be done at the work bench.
- Includes preassembled subframe with seal bars, knives, and junction box with cable connection.



LE Seal Jaws are available in the following configurations

Bagger Model	Ver. x Hor.	Config.	LE Seal Jaw Upgrade <i>Note: Jaw drive components not included</i>	LE Seal Jaw Plus Servo Drive Upgrade	Optional Spare Seal Assembly
301	14" x 20"	L Bar	x	x	x
	14" x 20"	Trimless	x	x	x
	14" x 24"	L Bar	x	x	x
501-36	36"	Horiz. only	x	x	x
	8" x 36"	L Bar	x	x	x
	8" x 36"	Trimless	x	x	x
	14" x 36"	L Bar	x	x	x
	14" x 36"	Trimless	x	x	x
	18" x 36"	L Bar	x	x	x
501-52	22" x 36"	L Bar	x	x	x
	52"	Horiz. only	x	x	x
	14" x 52"	L Bar	x	x	x
	18" x 52"	L Bar	x	x	x
	22" x 52"	L Bar	x	x	x
501-65 OR 601	24" x 52"	L Bar	x	x	x
	65"		Contact Rennco for price and availability		
	14" x 65"				
	18" x 65"				
22" x 65"					
	24" x 65"				



1/16" wide flat seal adjacent to cut off on horizontal and vertical.



1/16" wide flat seal adjacent to cut off. Open ended package.



1/16" wide flat seal adjacent to cut off on horizontal. 3/16" wide seal on vertical.

Trimless seal jaws have the added benefit of eliminating the trim tail take up spool.

Area pricing shown applies to most standard applications. Some applications require additional components that will affect pricing. Contact Rennco with your machine serial number for an evaluation and firm pricing.

Contact Rennco's Customer Service Department for details about these and other system upgrades



PO Box 116
23721 M-60 West
Homer, Michigan 49245
www.rennco.com

Phone: 517-568-4121
Toll-Free 800-701-1343
Fax: 888-390-8930
Email: sales@rennco.com